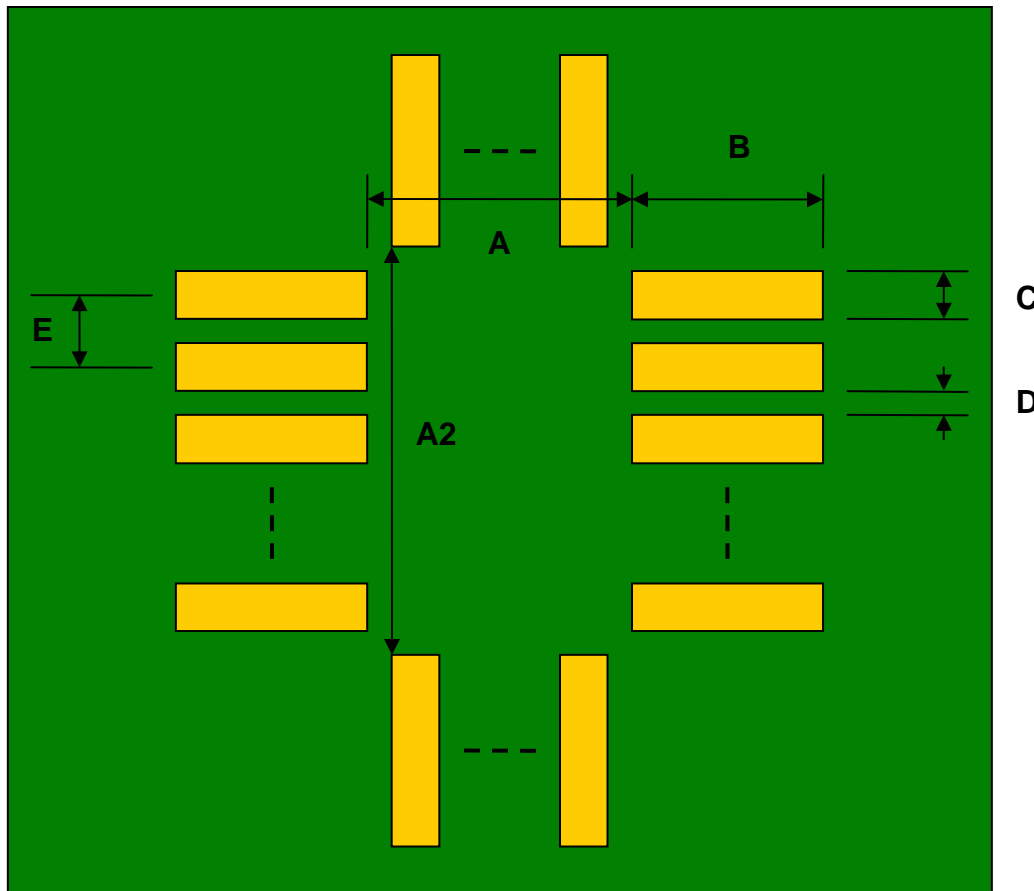


## PQFP-100 to PGA-100 SMT Adapter (0.65 mm pitch, 14 x 20 mm body)

REF.	DIMENSIONS					
	mm			inches		
	MIN.	TYP.	MAX.	MIN.	TYP.	MAX.
A		13.60				
A2		19.60				
B		2.00				
C		0.40				
D		0.25				
E		0.65				

Top View (SMT Footprint)



(Representative drawing only - not to scale)