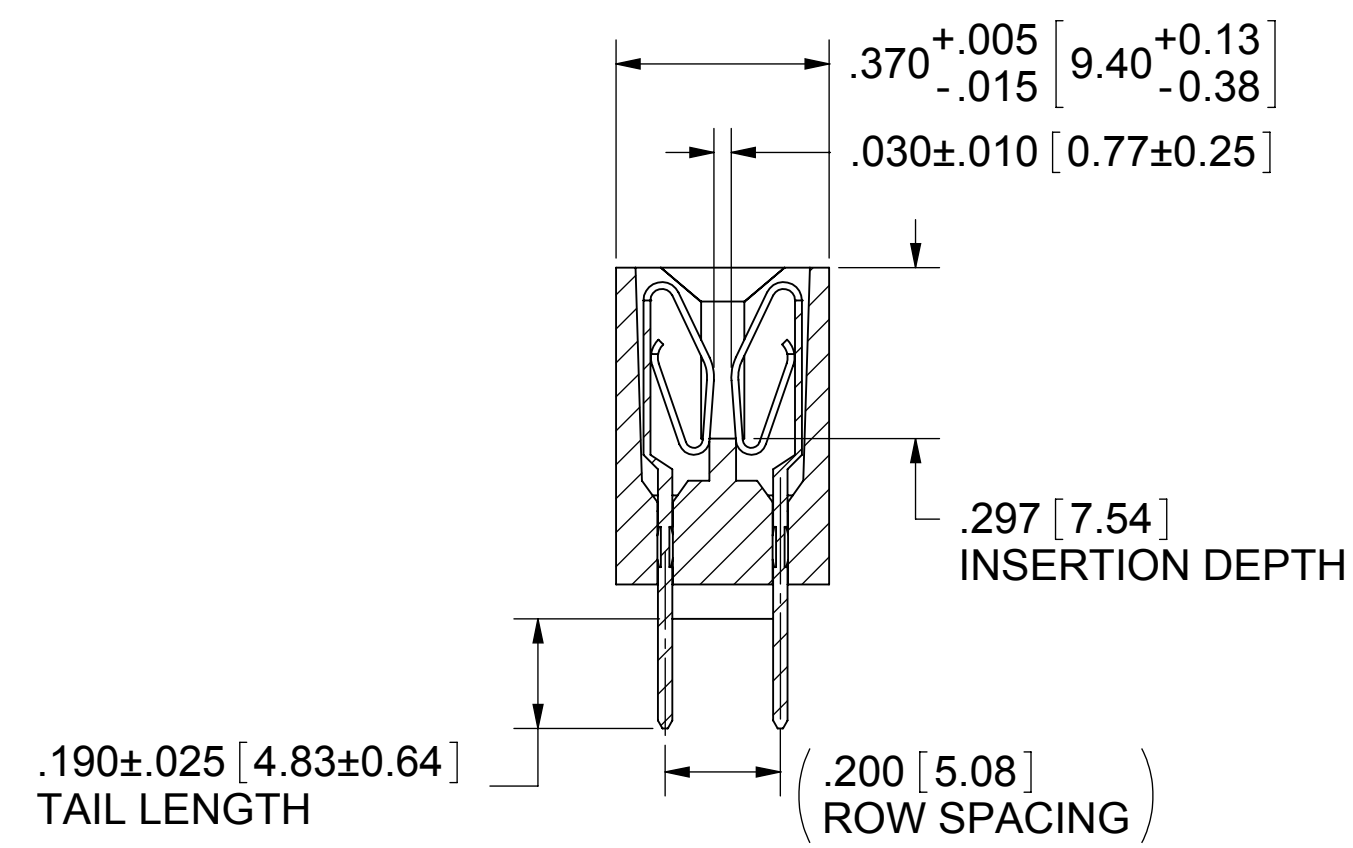
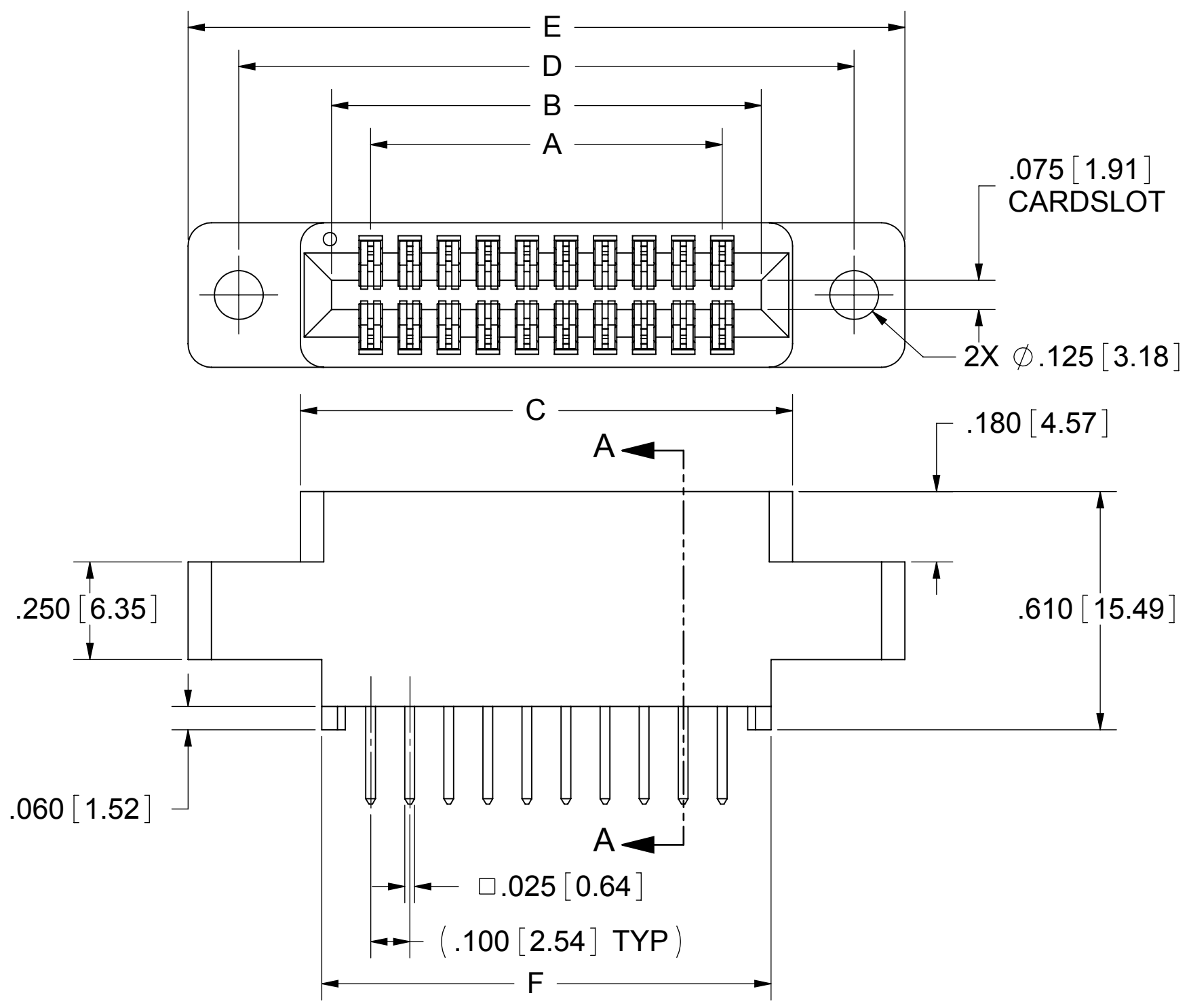
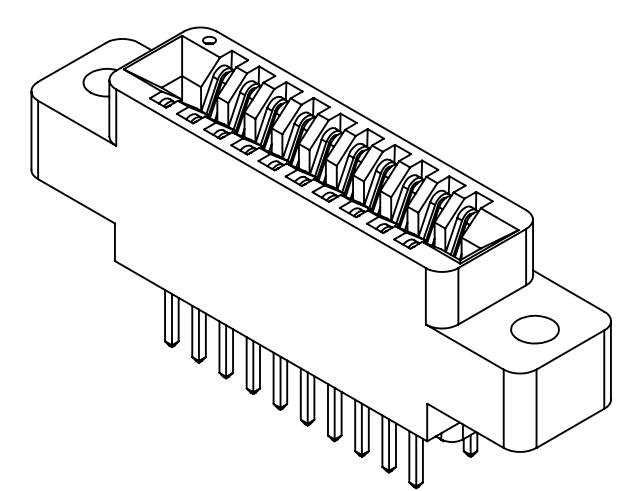
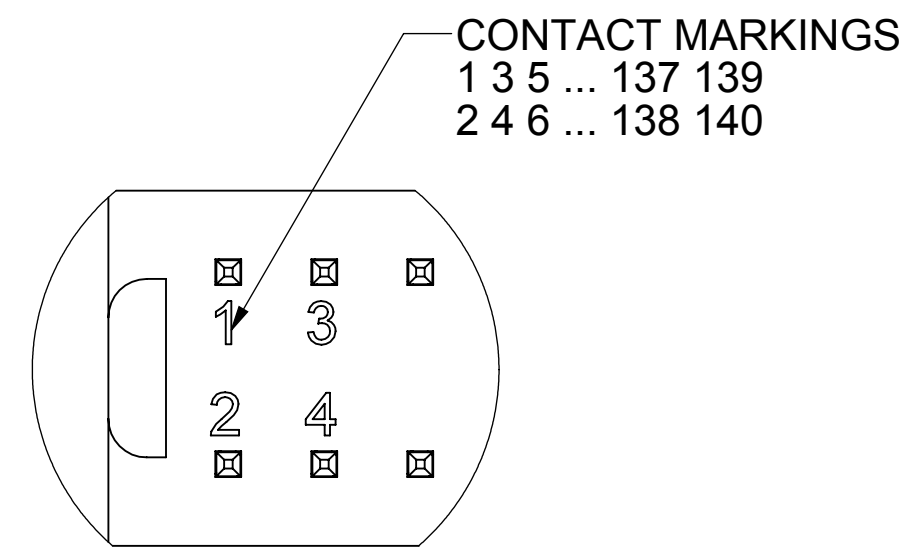
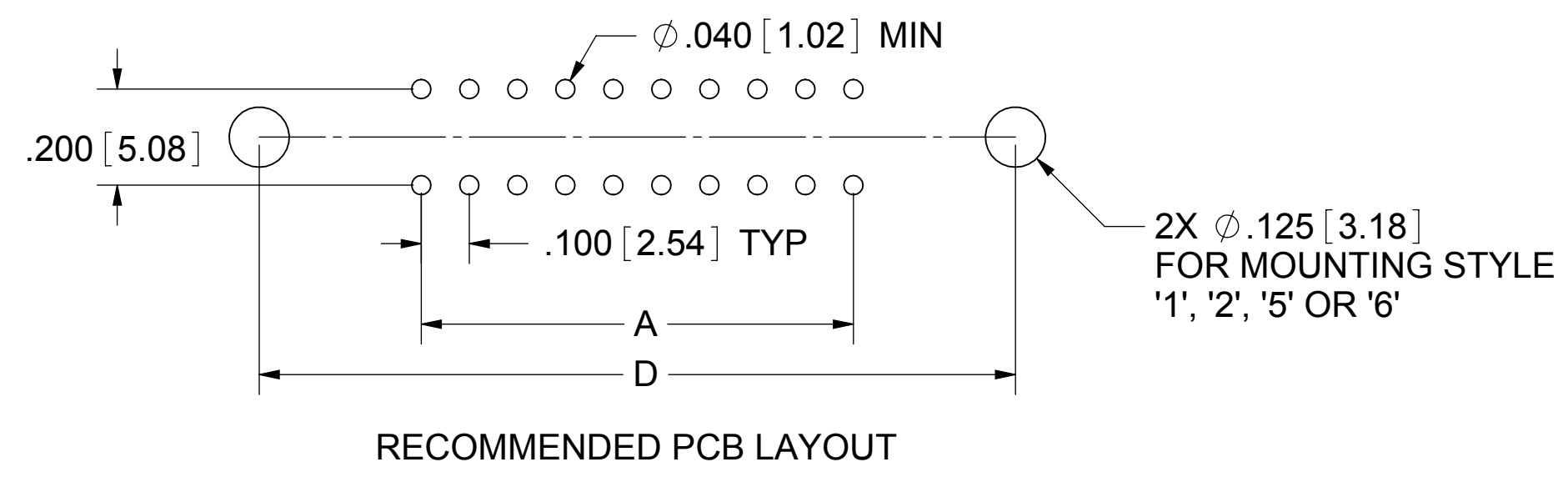


| REVISIONS |         |   |           |    |
|-----------|---------|---|-----------|----|
| REV.      | ECO. NO | DESCRIPTION   | DATE      | BY |
| A         | 2319    | INITIAL RELEASE   | 05/17/11  | EB |
| B         | 2451    | UPDATED PN CODING TO INCLUDES MTL, PLATING OPTIONS, CORRECTED BOM TABLE, ADDED TOLERANCE ±.010 TO CONTACT GAP DIM | 9/21/2011 | JH |



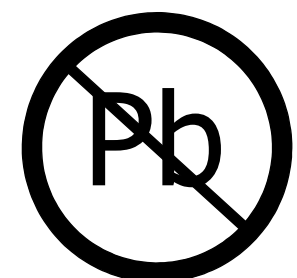
**MP \_ \_ - 100- \_ \_ - DW- 5H \_ \_ \_**



- NOTES:**
1. INSULATOR MATERIAL: SEE PART NUMBER CODING.
  2. CONTACT MATERIAL: SEE PART NUMBER CODING.
  3. PLATING: SEE PART NUMBER CODING.
  4. OPERATING TEMPERATURE RATING: SEE PART NUMBER CODING.
  5. PROCESSING TEMPERATURE: SEE PART NUMBER CODING.
  6. UL FLAMABILITY RATING: 94V-0.
  7. DIELECTRIC WITHSTANDING VOLTAGE RATING: 750 VAC MIN. AT SEA LEVEL.
  8. CURRENT RATING: 3 AMP PER CONTACT.
  9. CONTACT RESISTANCE: 30 MILLIOHMS MAX.
  10. INSULATION RESISTANCE: 5000 MEGOHMS MIN.
  11. DURABILITY: 500 CYCLES MIN
  12. CONNECTOR IDENTIFICATION: PART SHALL BE MARKED WITH PART NUMBER AND LOT CODE.
  13. ACCOMMODATES BOARD THICKNESS: .062 ± .008" [1.57 ±0.20].
  14. INSERTION FORCE: 8 OZ MAX PER CONTACT PAIR WHEN USING A .062" [1.57mm]
  15. WITHDRAWAL FORCE: 1 OZ MIN. PER CONTACT PAIR USING .062" [1.57mm] PCB TEST BLADE.

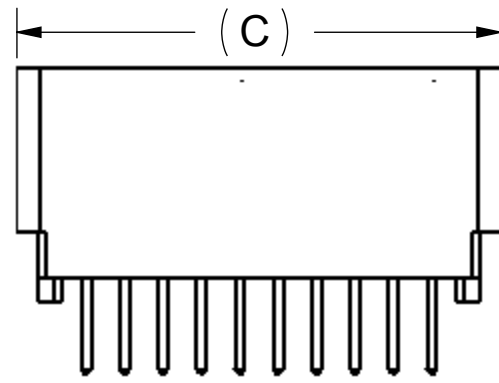
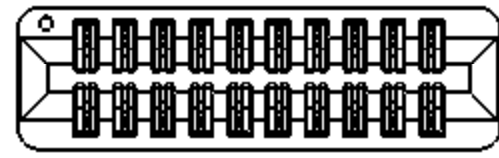
REF: \_ \_ C \_ DRS \_ (-S \_ \_)

**CUSTOMER COPY**

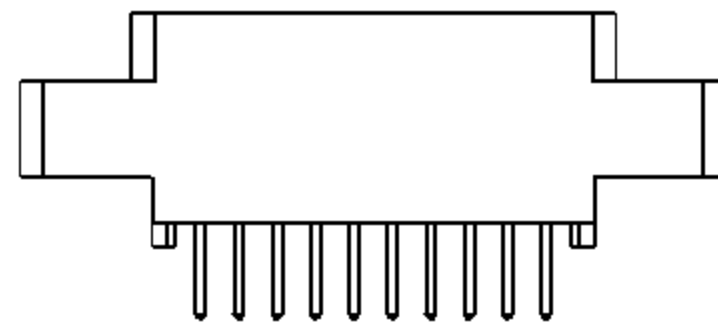
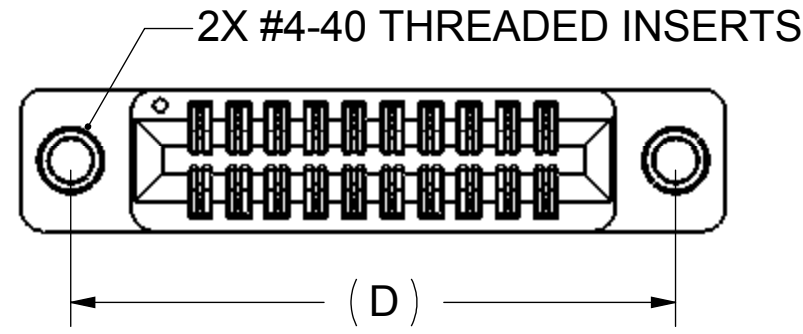


**RoHS COMPLIANT**

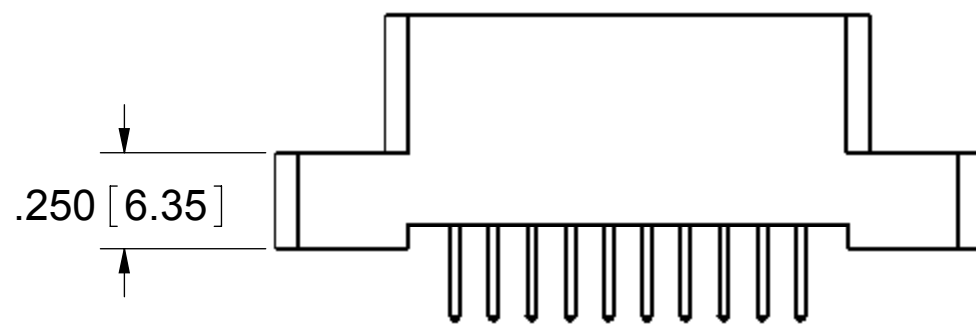
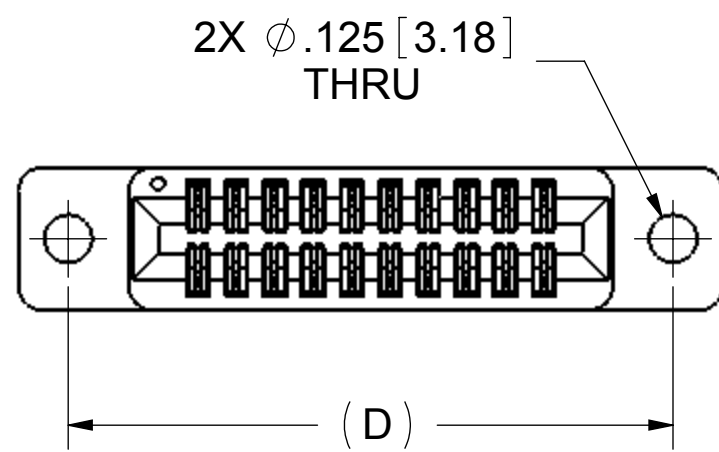
|  |  |          |              |                        |
|--|--|----------|--------------|------------------------|
| UNLESS OTHERWISE SPECIFIED:<br>DIMENSIONS ARE IN INCHES [MM]                           | DRAWN  | DATE     | NAME         |                        |
|  |  | 04/15/11 | EB           |                        |
| TOLERANCES: ANGULAR: ± 30'<br>.XX=± .02 [5]<br>.XXX=± .005 [13]<br>.XXXX=± .0005 [013] | THE INFORMATION HEREIN CONTAINS PROPRIETARY INFORMATION OF SULLINS ELECTRONICS AND IS NOT TO BE REPRODUCED, USED OR DISCLOSED TO OTHERS FOR ANY PURPOSE EXCEPT AS SPECIFICALLY AUTHORIZED IN WRITING BY AN OFFICER OF SULLINS ELECTRONICS. |          |              | TITLE                  |
|  | INTERPRET DIMENSIONS AND TOLERANCING PER: ASME Y14.5M-2009   |          |              | EDGE CARD, .100 CC, HP |
| PART NUMBER  |  |          |              | REV                    |
| MP _ _ - 100- _ _ - DW- _ H _ _ _  |  |          |              | B                      |
| SIZE   | CAGE CODE  | DWG. NO. | C11701       |                        |
| C  | 54453  | C11701   | SHEET 1 OF 3 |                        |
| SCALE: 3:1   |  |          |              |                        |



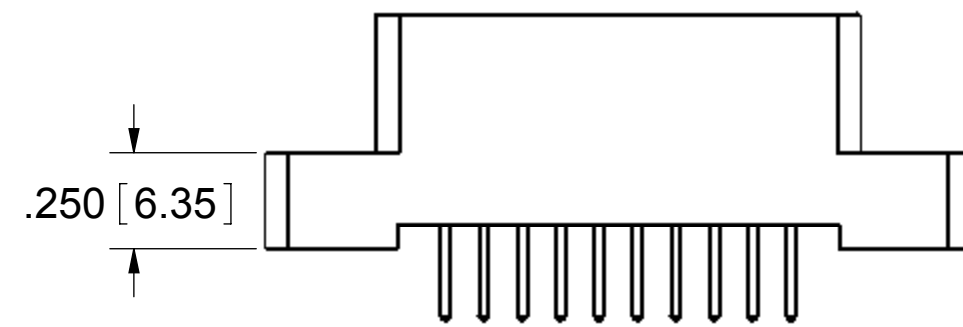
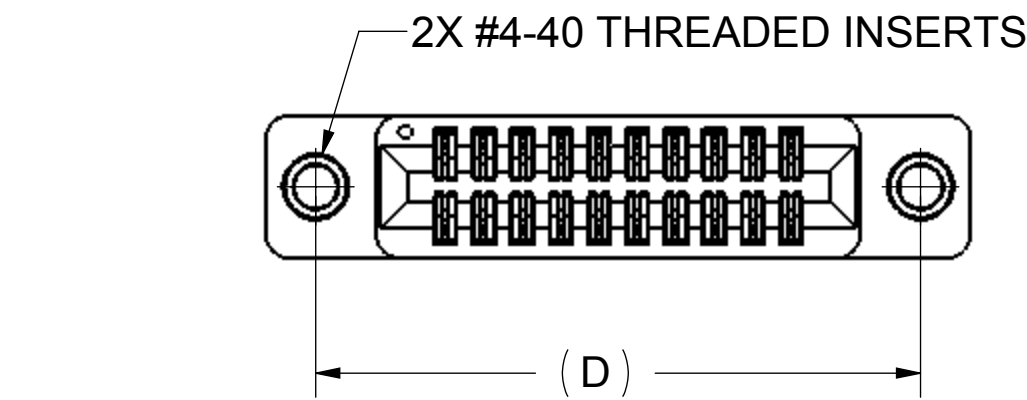
MP\_100\_DW-4H



MP\_100\_DW-6H

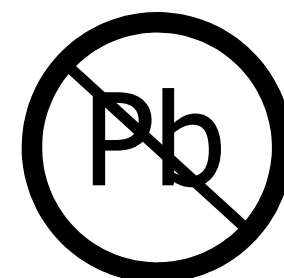


MP\_100\_DW-1H



MP\_100\_DW-2H

# CUSTOMER COPY



RoHS COMPLIANT

UNLESS OTHERWISE SPECIFIED:  
DIMENSIONS ARE IN INCHES [MM]  
TOLERANCES: ANGULAR: ± 30'  
.XX=± .02 [.5]  
.XXX=± .005 [.13]  
.XXXX=± .0005 [.013]  
INTERPRET DIMENSIONS AND  
TOLERANCING  
PER: ASME Y14.5M-2009

|   |          |      |
|---|----------|------|
| DRAWN   | DATE     | NAME |
|   | 04/15/11 | EB   |
| <small>THE INFORMATION HEREIN CONTAINS PROPRIETARY INFORMATION OF SULLINS ELECTRONICS AND IS NOT TO BE REPRODUCED, USED OR DISCLOSED TO OTHERS FOR ANY PURPOSE EXCEPT AS SPECIFICALLY AUTHORIZED IN WRITING BY AN OFFICER OF SULLINS ELECTRONICS.</small> |          |      |
|   |          |      |

|                                 |                    |                    |
|---------------------------------|--------------------|--------------------|
|                                 |                    |                    |
| TITLE<br>EDGE CARD, .100 CC, HP |                    |                    |
| PART NUMBER<br>MP_100_DW-H      |                    |                    |
| SIZE<br>C                       | CAGE CODE<br>54453 | DWG. NO.<br>C11701 |
| SCALE: 2:1                      |                    | REV<br>B           |
| SHEET 2 OF 3                    |                    |                    |

| PART NUMBER         | POSITIONS | A±.008[±0.20] |        | B±.008[±0.20] |        | C±.015[±0.38] |        | D±.010[±0.25] |        | E±.020[±0.51] |        | F±.015[±0.38] |        |
|---------------------|-----------|---------------|--------|---------------|--------|---------------|--------|---------------|--------|---------------|--------|---------------|--------|
|                     |           | INCH          | MM     | INCH          | MM     | INCH          | MM     | INCH          | MM     | INCH          | MM     | INCH          | MM     |
| MP__-100-06-DW-_H__ | 6         | 0.500         | 12.70  | 0.700         | 17.78  | 0.860         | 21.84  | 1.175         | 29.85  | 1.435         | 36.45  | 0.750         | 19.05  |
| MP__-100-07-DW-_H__ | 7         | 0.600         | 15.24  | 0.800         | 20.32  | 0.960         | 24.38  | 1.275         | 32.39  | 1.535         | 38.99  | 0.850         | 21.59  |
| MP__-100-08-DW-_H__ | 8         | 0.700         | 17.78  | 0.900         | 22.86  | 1.060         | 26.92  | 1.375         | 34.93  | 1.635         | 41.53  | 0.950         | 24.13  |
| MP__-100-10-DW-_H__ | 10        | 0.900         | 22.86  | 1.100         | 27.94  | 1.260         | 32.00  | 1.575         | 40.01  | 1.835         | 46.61  | 1.150         | 29.21  |
| MP__-100-12-DW-_H__ | 12        | 1.100         | 27.94  | 1.300         | 33.02  | 1.460         | 37.08  | 1.775         | 45.09  | 2.035         | 51.69  | 1.350         | 34.29  |
| MP__-100-13-DW-_H__ | 13        | 1.200         | 30.48  | 1.400         | 35.56  | 1.560         | 39.62  | 1.875         | 47.63  | 2.135         | 54.23  | 1.450         | 36.83  |
| MP__-100-15-DW-_H__ | 15        | 1.400         | 35.56  | 1.600         | 40.64  | 1.760         | 44.70  | 2.075         | 52.71  | 2.335         | 59.31  | 1.650         | 41.91  |
| MP__-100-17-DW-_H__ | 17        | 1.600         | 40.64  | 1.800         | 45.72  | 1.960         | 49.78  | 2.275         | 57.79  | 2.535         | 64.39  | 1.850         | 46.99  |
| MP__-100-18-DW-_H__ | 18        | 1.700         | 43.18  | 1.900         | 48.26  | 2.060         | 52.32  | 2.375         | 60.33  | 2.635         | 66.93  | 1.950         | 49.53  |
| MP__-100-20-DW-_H__ | 20        | 1.900         | 48.26  | 2.100         | 53.34  | 2.260         | 57.40  | 2.575         | 65.41  | 2.835         | 72.01  | 2.150         | 54.61  |
| MP__-100-22-DW-_H__ | 22        | 2.100         | 53.34  | 2.300         | 58.42  | 2.460         | 62.48  | 2.775         | 70.49  | 3.035         | 77.09  | 2.350         | 59.69  |
| MP__-100-24-DW-_H__ | 24        | 2.300         | 58.42  | 2.500         | 63.50  | 2.660         | 67.56  | 2.975         | 75.57  | 3.235         | 82.17  | 2.550         | 64.77  |
| MP__-100-25-DW-_H__ | 25        | 2.400         | 60.96  | 2.600         | 66.04  | 2.760         | 70.10  | 3.075         | 78.11  | 3.335         | 84.71  | 2.650         | 67.31  |
| MP__-100-28-DW-_H__ | 28        | 2.700         | 68.58  | 2.900         | 73.66  | 3.060         | 77.72  | 3.375         | 85.73  | 3.635         | 92.33  | 2.950         | 74.93  |
| MP__-100-29-DW-_H__ | 29        | 2.800         | 71.12  | 3.000         | 76.20  | 3.160         | 80.26  | 3.475         | 88.27  | 3.735         | 94.87  | 3.050         | 77.47  |
| MP__-100-30-DW-_H__ | 30        | 2.900         | 73.66  | 3.100         | 78.74  | 3.260         | 82.80  | 3.575         | 90.81  | 3.835         | 97.41  | 3.150         | 80.01  |
| MP__-100-31-DW-_H__ | 31        | 3.000         | 76.20  | 3.200         | 81.28  | 3.360         | 85.34  | 3.675         | 93.35  | 3.935         | 99.95  | 3.250         | 82.55  |
| MP__-100-35-DW-_H__ | 35        | 3.400         | 86.36  | 3.600         | 91.44  | 3.760         | 95.50  | 4.075         | 103.51 | 4.335         | 110.11 | 3.650         | 92.71  |
| MP__-100-36-DW-_H__ | 36        | 3.500         | 88.90  | 3.700         | 93.98  | 3.860         | 98.04  | 4.175         | 106.05 | 4.435         | 112.65 | 3.750         | 95.25  |
| MP__-100-40-DW-_H__ | 40        | 3.900         | 99.06  | 4.100         | 104.14 | 4.260         | 108.20 | 4.575         | 116.21 | 4.835         | 122.81 | 4.150         | 105.41 |
| MP__-100-43-DW-_H__ | 43        | 4.200         | 106.68 | 4.400         | 111.76 | 4.560         | 115.82 | 4.875         | 123.83 | 5.135         | 130.43 | 4.450         | 113.03 |
| MP__-100-44-DW-_H__ | 44        | 4.300         | 109.22 | 4.500         | 114.30 | 4.660         | 118.36 | 4.975         | 126.37 | 5.235         | 132.97 | 4.550         | 115.57 |
| MP__-100-49-DW-_H__ | 49        | 4.800         | 121.92 | 5.000         | 127.00 | 5.160         | 131.06 | 5.475         | 139.07 | 5.735         | 145.67 | 5.050         | 128.27 |
| MP__-100-50-DW-_H__ | 50        | 4.900         | 124.46 | 5.100         | 129.54 | 5.260         | 133.60 | 5.575         | 141.61 | 5.835         | 148.21 | 5.150         | 130.81 |
| MP__-100-55-DW-_H__ | 55        | 5.400         | 137.16 | 5.600         | 142.24 | 5.760         | 146.30 | 6.075         | 154.31 | 6.335         | 160.91 | 5.650         | 143.51 |
| MP__-100-60-DW-_H__ | 60        | 5.900         | 149.86 | 6.100         | 154.94 | 6.260         | 159.00 | 6.575         | 167.01 | 6.835         | 173.61 | 6.150         | 156.21 |
| MP__-100-61-DW-_H__ | 61        | 6.000         | 152.40 | 6.200         | 157.48 | 6.360         | 161.54 | 6.675         | 169.55 | 6.935         | 176.15 | 6.250         | 158.75 |
| MP__-100-65-DW-_H__ | 65        | 6.400         | 162.56 | 6.600         | 167.64 | 6.760         | 171.70 | 7.075         | 179.71 | 7.335         | 186.31 | 6.650         | 168.91 |
| MP__-100-70-DW-_H__ | 70        | 6.900         | 175.26 | 7.100         | 180.34 | 7.260         | 184.40 | 7.575         | 192.41 | 7.835         | 199.01 | 7.150         | 181.61 |

**PART NUMBER CODING**

MP - 100 - DW - H

**CONTACT MATERIAL**

OMIT= PHOSPHOR BRONZE (SEE TABLE 2)  
Y= BERYLLIUM COPPER (SEE TABLE 3)

**PLATING MODIFICATION CODE (SEE TABLE 1)**

**MOUNTING STYLE**

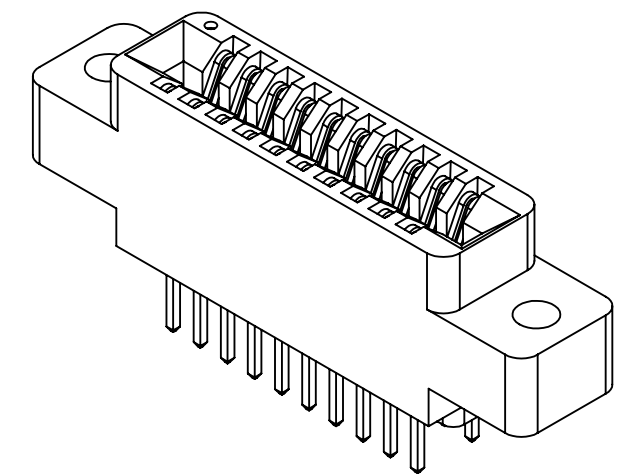
1= .125" DIA. CLEARANCE HOLES  
2= #4-40 THREADED INSERT  
4= NO MOUNTING EARS  
5= RAISED WITH .125" DIA. CLEARANCE HOLES  
6= RAISED WITH #4-40 THREADED INSERT

**NUMBER OF POSITIONS (CONTACTS PER ROW)**

**INSULATOR MATERIAL**

0= PBT, BLUE  
2= PBT, GREEN  
3= PBT, BLACK  
1= PPS, BROWN  
5= PPS, BLACK  
6= PPS, GREEN  
7= PPS, BROWN

**PLATING (SEE TABLE 1)**



**TABLE 2 (PHOSPHOR BRONZE CONTACTS):**

| INSULATOR MATERIAL CODE | OPERATING TEMPERATURE | PROCESSING TEMPERATURE               |
|-------------------------|-----------------------|--------------------------------------|
| 0, 2, 3                 | -65°C TO +125°C       | 260°C FOR 10 SEC MAX (230°C, 30 SEC) |
| 1, 5, 6, 7              | -65°C TO +125°C       | 260°C FOR 120 SEC MAX                |

**TABLE 3 (BERYLLIUM COPPER CONTACTS):**

| INSULATOR MATERIAL CODE | OPERATING TEMPERATURE | PROCESSING TEMPERATURE               |
|-------------------------|-----------------------|--------------------------------------|
| 0, 2, 3                 | -65°C TO +125°C       | 260°C FOR 10 SEC MAX (230°C, 30 SEC) |
| 1, 5, 6, 7              | -65°C TO +150°C       | 260°C FOR 120 SEC MAX                |

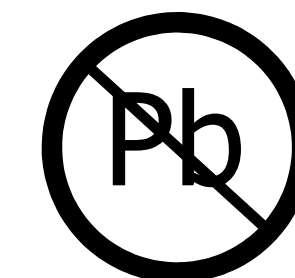
**TABLE 1 (PLATING):**

ALL PLATINGS HAVE .000050" NICKEL UNDERPLATE

|      | CONTACT SURFACE                  | TERMINATION              | PLATING MODIFICATION CODE |
|------|----------------------------------|--------------------------|---------------------------|
| MP   | .000010" GOLD OVERALL            |                          | OMIT                      |
|      | .000030" GOLD                    | .000010" GOLD OVERALL    | G                         |
| MPSL | .000010" GOLD                    | .000100" PURE TIN, MATTE | K                         |
|      | .000030" GOLD                    | .000100" PURE TIN, MATTE | GK                        |
| MPL  | .000100" PURE TIN, MATTE OVERALL |                          | K                         |

(MPL PLATING AVAILABLE WITH PHOSPHOR BRONZE CONTACTS ONLY)

**CUSTOMER COPY**



RoHS COMPLIANT

|   |  |          |           |                       |
|---|--|----------|-----------|-----------------------|
| UNLESS OTHERWISE SPECIFIED: DIMENSIONS ARE IN INCHES [MM]                                 | DRAWN  | DATE     | NAME      |                       |
|   |  | 04/15/11 | EB        |                       |
| TOLERANCES: ANGULAR: ± 30'<br>.XX=± .02 [.5]<br>.XXX=± .005 [.13]<br>.XXXX=± .0005 [.013] | THE INFORMATION HEREIN CONTAINS PROPRIETARY INFORMATION OF SULLINS ELECTRONICS AND IS NOT TO BE REPRODUCED, USED OR DISCLOSED TO OTHERS FOR ANY PURPOSE EXCEPT AS SPECIFICALLY AUTHORIZED IN WRITING BY AN OFFICER OF SULLINS ELECTRONICS. |          |           | TITLE                 |
|   | INTERPRET DIMENSIONS AND TOLERANCING PER: ASME Y14.5M-2009   |          |           | EDGECARD, .100 CC, HP |
| PART NUMBER   |  | SIZE     | CAGE CODE | DWG. NO.              |
| MP__-100-__-DW-_H__   |  | C        | 54453     | C11701                |
| SCALE: 2:1  |  | REV      |           | B                     |
| SHEET 3 OF 3  |  |          |           |                       |