

### EVAL6229QR demonstration board using the L6229Q DMOS driver for a three-phase BLDC motor control application

#### Introduction

This application note describes the EVAL6229QR demonstration board for the L6229Q DMOS fully integrated three-phase brushless DC motor driver. The board implements a typical application that can be used as a demonstration platform for driving three-phase brushless DC motors with currents up to 1 A DC.

Thanks to the small footprint of the L6229Q (QFN 5x5 mm), the board is a very compact 30x32 mm.

Figure 1. EVAL6229QR demonstration board

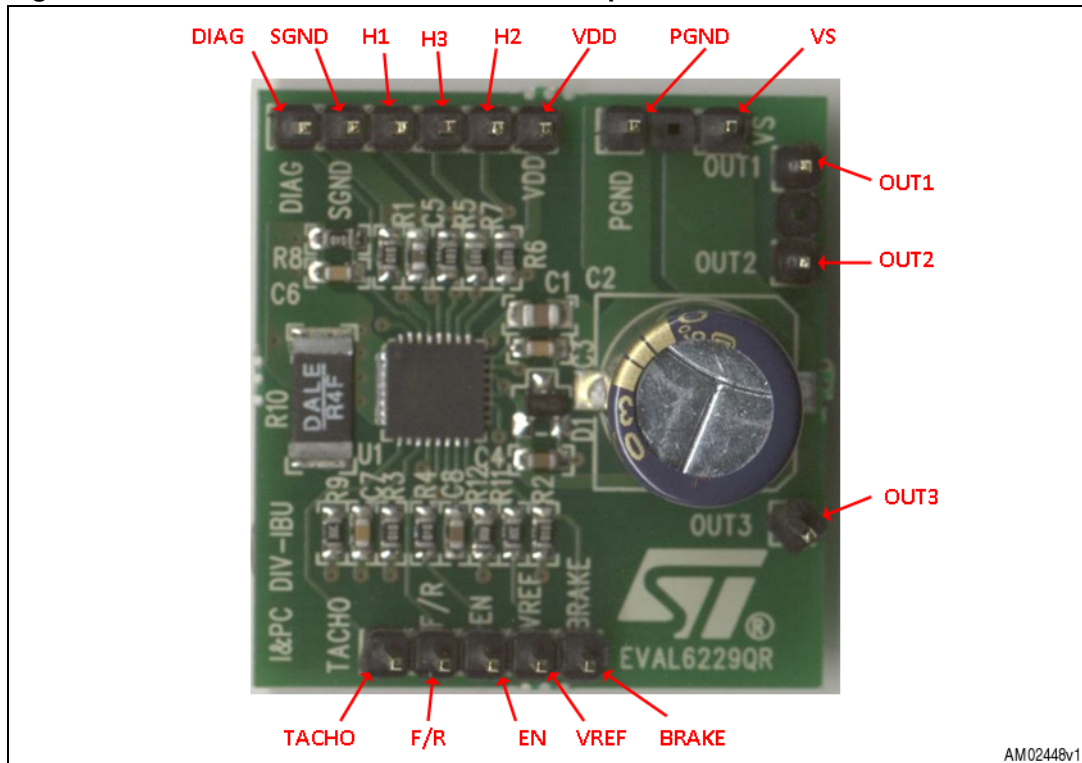


# 1 Demonstration board description

**Table 1. EVAL6229QR pin description**

Name	Type	Function
VS	Power supply	Hal bridges power supply voltage
PGND	Ground	Power ground terminal.
VDD	Power supply	Hall effect sensors pull-up voltage.
H1	Sensor input	Single ended hall effect sensor input 1.
H2	Sensor input	Single ended hall effect sensor input 2.
H3	Sensor input	Single ended hall effect sensor input 3.
SGND	Ground	Signal ground terminal.
DIAG	Open-drain output	Diagnostic pin. When 'low', signals an overcurrent or overtemperature event.
TACHO	Open-drain output	Frequency-to-voltage open drain output. Every pulse from H1 pin is shaped as a fixed and adjustable length pulse.
F/R	Logic input	Selects the direction of the rotation ('H' = CW; 'L' = CCW).
EN	Logic input/output	Chip enable (active 'high'). When 'low', switches OFF all power MOSFETs of three half-bridges.
VREF	Analog input	Current controller reference voltage.
BRAKE	Logic input	Brake input pin. When 'low, switches ON all high-side power MOSFETs implementing the brake function.
OUT1	Power output	Output phase 1.
OUT2	Power output	Output phase 2.
OUT3	Power output	Output phase 3.

Figure 2. EVAL6229QR demonstration board pin locations



The decoding logic integrated in the device is a combinatory logic which provides the appropriate driving signals for the three-phase bridge outputs, based on the signals coming from the three hall sensors H1, H2 and H3. The hall sensors detect rotor position in a 3-phase BLDC motor.

The EN pin connected to the diagnostic output DIAG is used to implement the overcurrent and thermal protection.

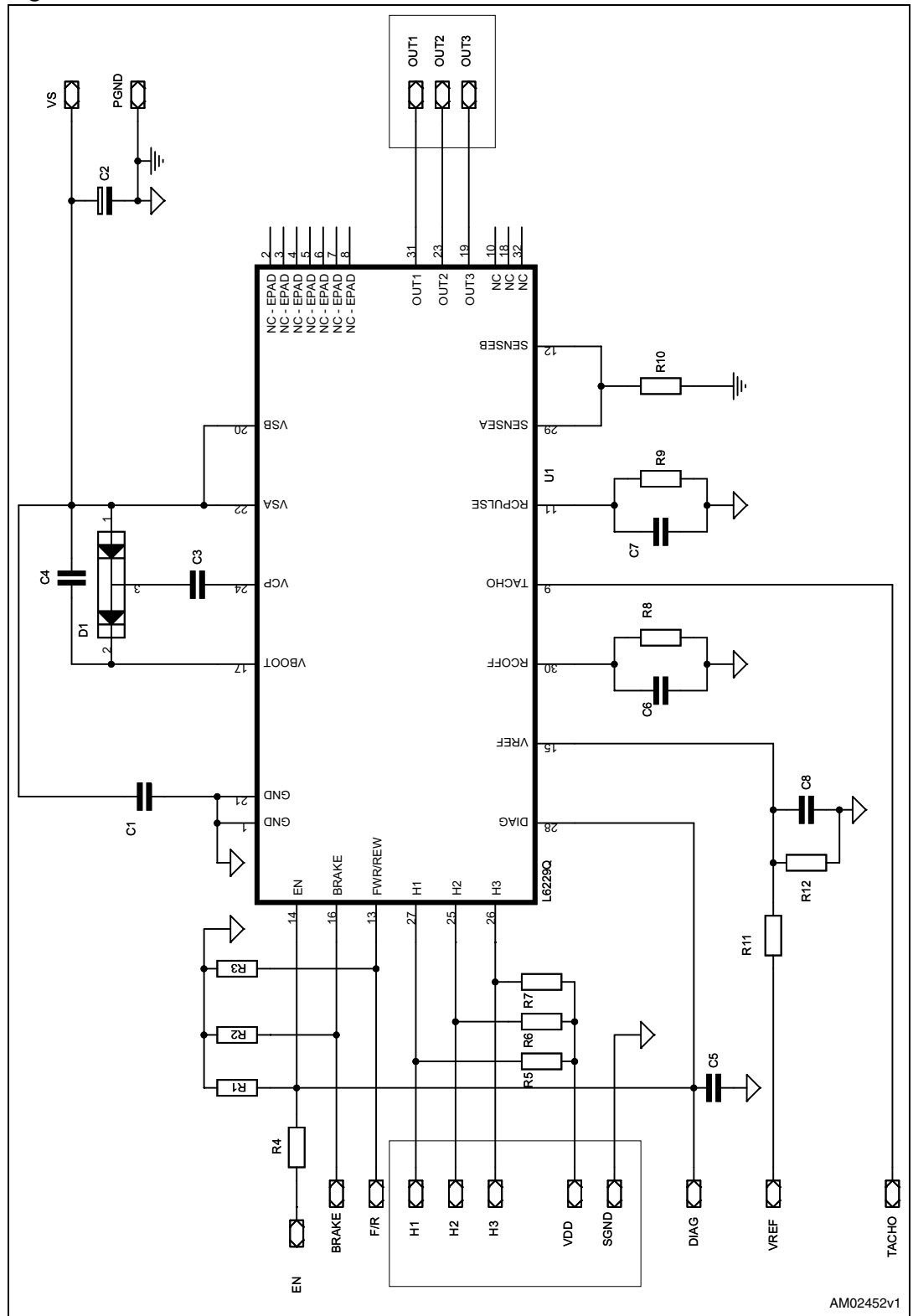
To perform PWM current control, an analog reference voltage should be provided at the VREF pin. A fixed reference voltage can be easily obtained through a resistor divider from an external voltage rail and GND (possibly that which supplies the microcontroller or the rest of the application). Alternatively, a very simple way of obtaining a variable voltage without using a DAC is to low-pass filter the PWM output of a microcontroller.

[Table 2](#) summarizes the electrical specifications of the application, [Figure 3](#) shows the electrical schematic, and [Table 3](#) provides the component list.

**Table 2. EVAL6229QR: electrical specifications (recommended values)**

Parameter	Value	Unit
Supply voltage range (VS)	8 to 52	Vdc
RMS output current rating (OUTx)	up to 1.4	A
Switching frequency	up to 100	kHz
Voltage reference range (VREF)	0 to +5	V
Input and enable voltage range	0 to +5	V
Operating temperature range	-25 to +125	°C
L6229Q thermal resistance junction-to-ambient	42	°C/W

Figure 3. EVAL6229QR demonstration board schematic



AM02452v1

**Table 3. EVAL6229QR component list**

Part reference	Part value	Part description
C1	220nF/100V	Capacitor
C2	100µF/63V	Capacitor
C3	10nF/25V	Capacitor
C4, C8	220nF/25V	Capacitor
C5	5.6nF	Capacitor
C6	820pF	Capacitor
C7	10nF	Resistor
D1	BAT46SW	Diodes
R1, R2, R3, R4	100kΩ 5% 0.25W	Resistor
R5, R6, R7	10kΩ 5% 0.25W	Resistor
R8	100kΩ 1% 0.25W	Resistor
R9	20kΩ 1% 0.25W	Resistor
R10	0.4Ω 1W	Resistor
R11	20kΩ 5% 0.25W	Resistor
R12	2kΩ 5% 0.25W	Resistor
U1	L6229Q	3-phase BLDC motor driver in VFQFPN5x5

The input lines EN, BRAKE and F/R are connected to ground through a pull-down resistor which sets the default logic level to “low”. An external signal can be applied to change each input status. The Hall effect inputs H1, H2 and H3 have a pull-up resistor connected to the  $V_{DD}$  voltage, which can be provided by the VDD pin.

A charge pump circuit, made up of D1, C3 and C4, generates the supply voltage for the high-side integrated MOSFETs. Due to voltage and current switching at relatively high frequency, these components are connected through short paths in order to minimize induced noise in other circuits.

R4 and C5 are used by the integrated overcurrent protection circuitry to set the protection timings (disable time  $t_{DISABLE}$  is about 200 µs and delay time  $t_{DELAY}$  is about 1 µs, based on the values in [Table 3](#)).

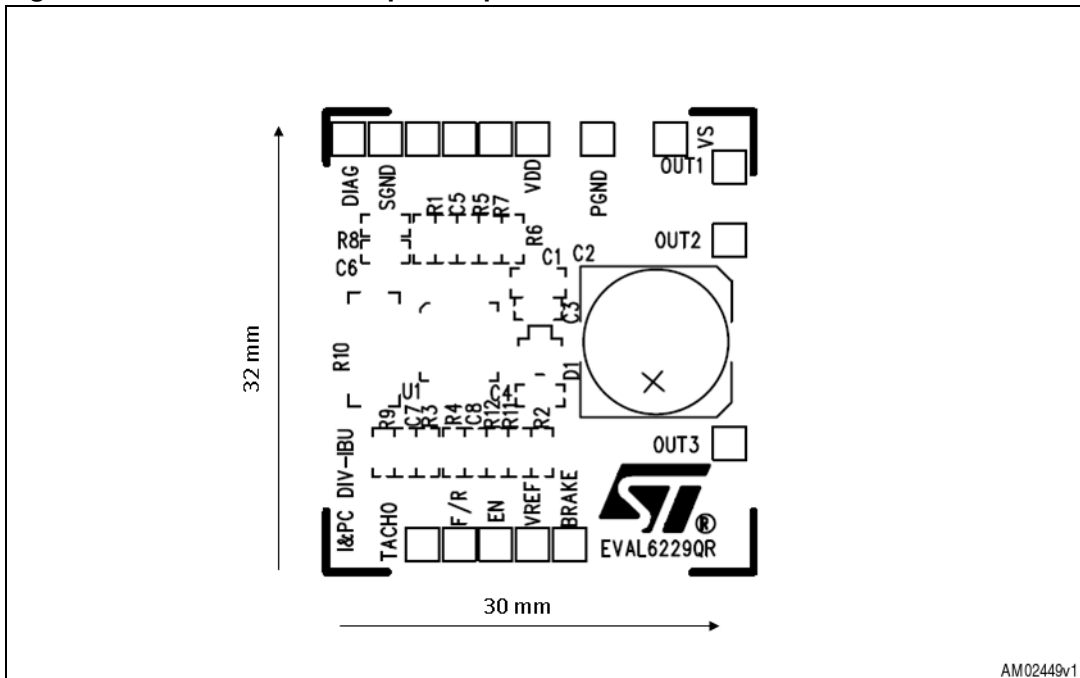
R8 and C6 are used to set the off-time  $t_{OFF}$  of the PWM to about 50 µs. When changing the RC network value, the off-time should be adjusted according to the electrical characteristics and supply voltage of the motor.

R11, R12 and C8 are low-pass filters to provide an external reference voltage through the PWM output of a microcontroller.

R9 and C7 are used to set the off-time  $t_{PULSE}$  of the TACHO pin. The TACHO output signal can be used to implement a simple frequency-to-voltage converter (speed loop control).

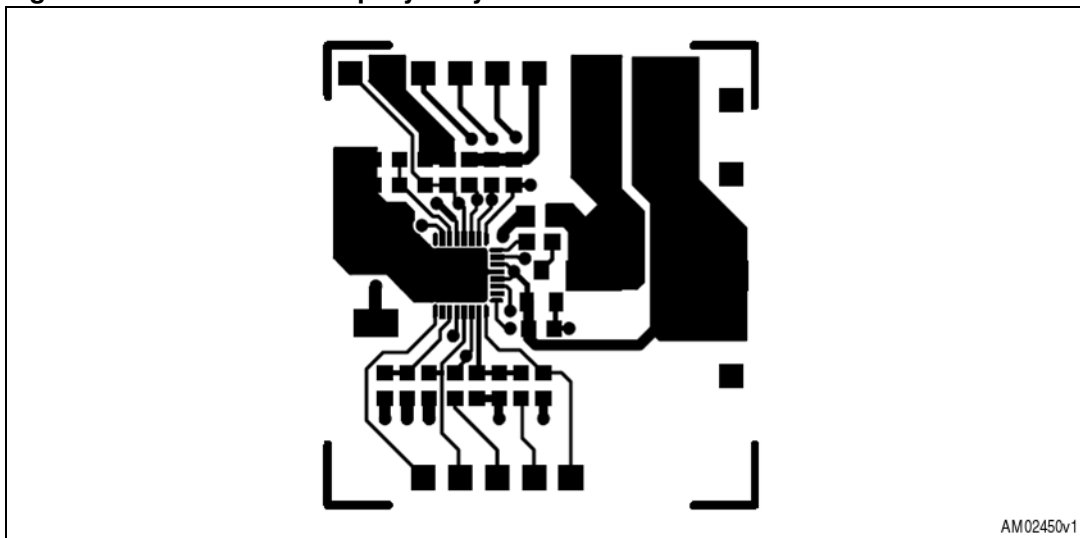
[Figure 4](#), [Figure 5](#) and [Figure 6](#) show the component placement and the two-layer layout of the EVAL6229QR demonstration board. A GND area is used for the IC power dissipation.

Figure 4. EVAL6229QR component placement



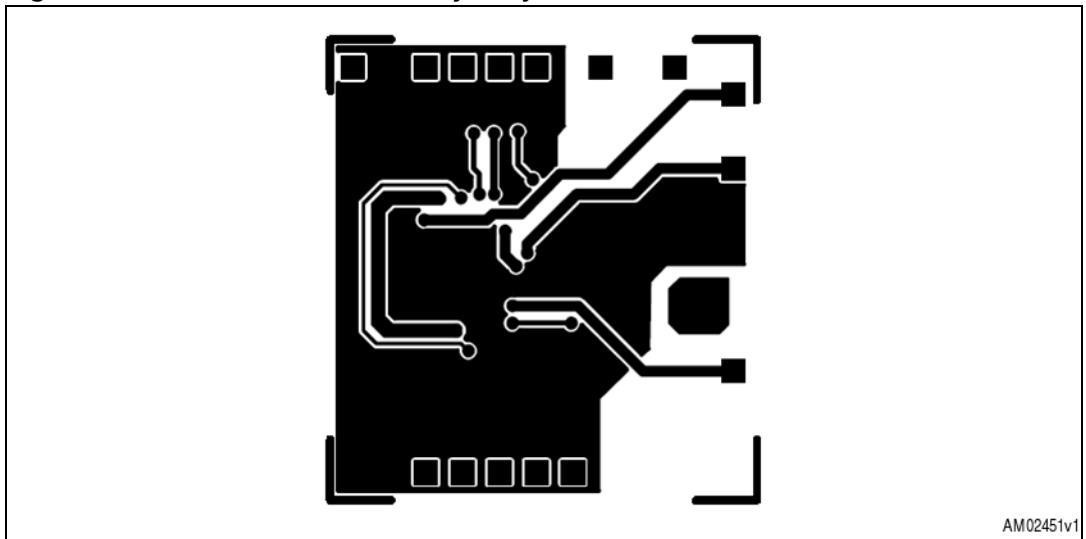
AM02449v1

Figure 5. EVAL6229QR top layer layout



AM02450v1

Figure 6. EVAL6229QR bottom layer layout





## 2 Revision history

**Table 4. Document revision history**

Date	Revision	Changes
13-Apr-2010	1	Initial release.

**Please Read Carefully:**

Information in this document is provided solely in connection with ST products. STMicroelectronics NV and its subsidiaries ("ST") reserve the right to make changes, corrections, modifications or improvements, to this document, and the products and services described herein at any time, without notice.

All ST products are sold pursuant to ST's terms and conditions of sale.

Purchasers are solely responsible for the choice, selection and use of the ST products and services described herein, and ST assumes no liability whatsoever relating to the choice, selection or use of the ST products and services described herein.

No license, express or implied, by estoppel or otherwise, to any intellectual property rights is granted under this document. If any part of this document refers to any third party products or services it shall not be deemed a license grant by ST for the use of such third party products or services, or any intellectual property contained therein or considered as a warranty covering the use in any manner whatsoever of such third party products or services or any intellectual property contained therein.

**UNLESS OTHERWISE SET FORTH IN ST'S TERMS AND CONDITIONS OF SALE ST DISCLAIMS ANY EXPRESS OR IMPLIED WARRANTY WITH RESPECT TO THE USE AND/OR SALE OF ST PRODUCTS INCLUDING WITHOUT LIMITATION IMPLIED WARRANTIES OF MERCHANTABILITY, FITNESS FOR A PARTICULAR PURPOSE (AND THEIR EQUIVALENTS UNDER THE LAWS OF ANY JURISDICTION), OR INFRINGEMENT OF ANY PATENT, COPYRIGHT OR OTHER INTELLECTUAL PROPERTY RIGHT.**

**UNLESS EXPRESSLY APPROVED IN WRITING BY AN AUTHORIZED ST REPRESENTATIVE, ST PRODUCTS ARE NOT RECOMMENDED, AUTHORIZED OR WARRANTED FOR USE IN MILITARY, AIR CRAFT, SPACE, LIFE SAVING, OR LIFE SUSTAINING APPLICATIONS, NOR IN PRODUCTS OR SYSTEMS WHERE FAILURE OR MALFUNCTION MAY RESULT IN PERSONAL INJURY, DEATH, OR SEVERE PROPERTY OR ENVIRONMENTAL DAMAGE. ST PRODUCTS WHICH ARE NOT SPECIFIED AS "AUTOMOTIVE GRADE" MAY ONLY BE USED IN AUTOMOTIVE APPLICATIONS AT USER'S OWN RISK.**

Resale of ST products with provisions different from the statements and/or technical features set forth in this document shall immediately void any warranty granted by ST for the ST product or service described herein and shall not create or extend in any manner whatsoever, any liability of ST.

ST and the ST logo are trademarks or registered trademarks of ST in various countries.

Information in this document supersedes and replaces all information previously supplied.

The ST logo is a registered trademark of STMicroelectronics. All other names are the property of their respective owners.

© 2010 STMicroelectronics - All rights reserved

STMicroelectronics group of companies

Australia - Belgium - Brazil - Canada - China - Czech Republic - Finland - France - Germany - Hong Kong - India - Israel - Italy - Japan - Malaysia - Malta - Morocco - Philippines - Singapore - Spain - Sweden - Switzerland - United Kingdom - United States of America

[www.st.com](http://www.st.com)