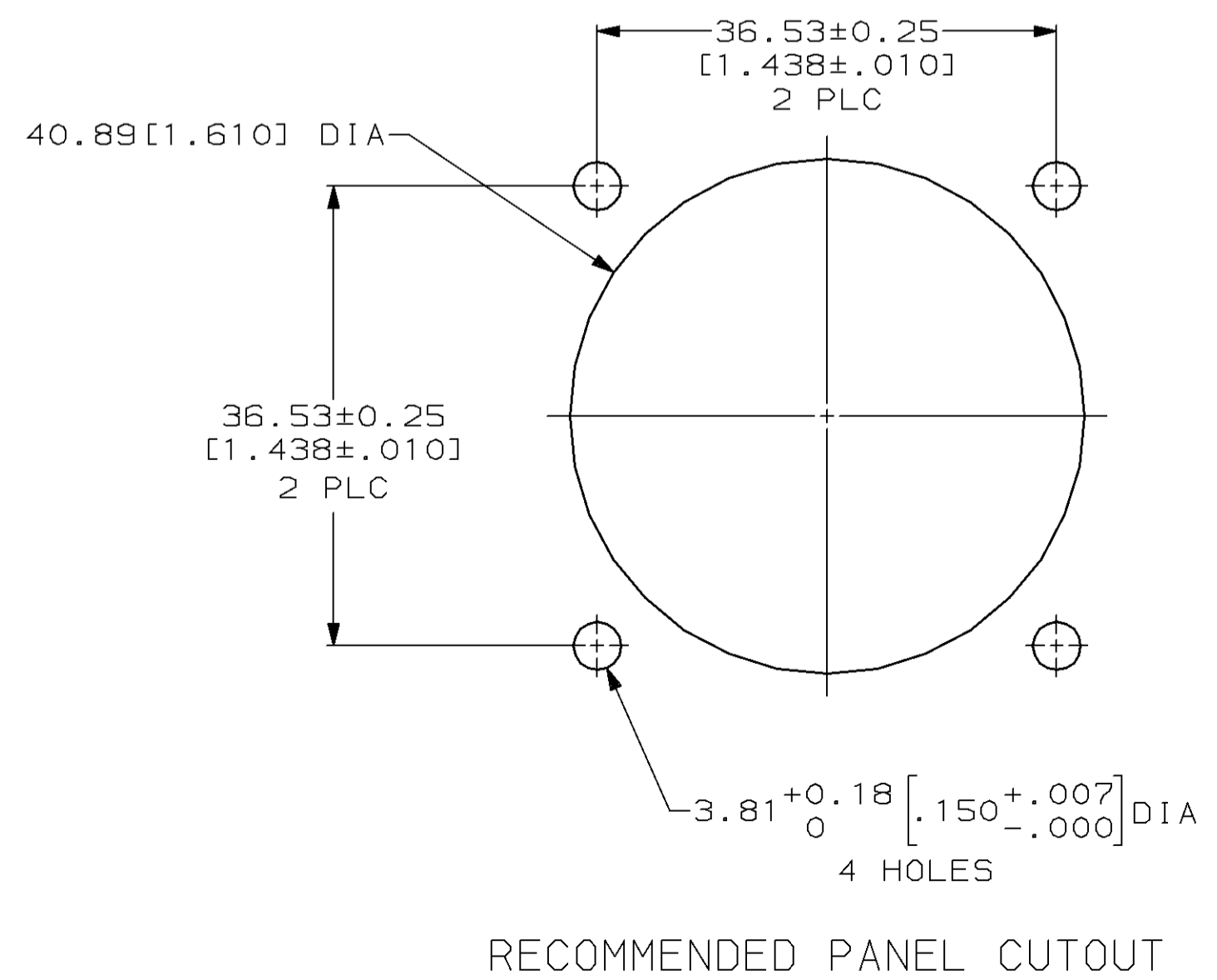
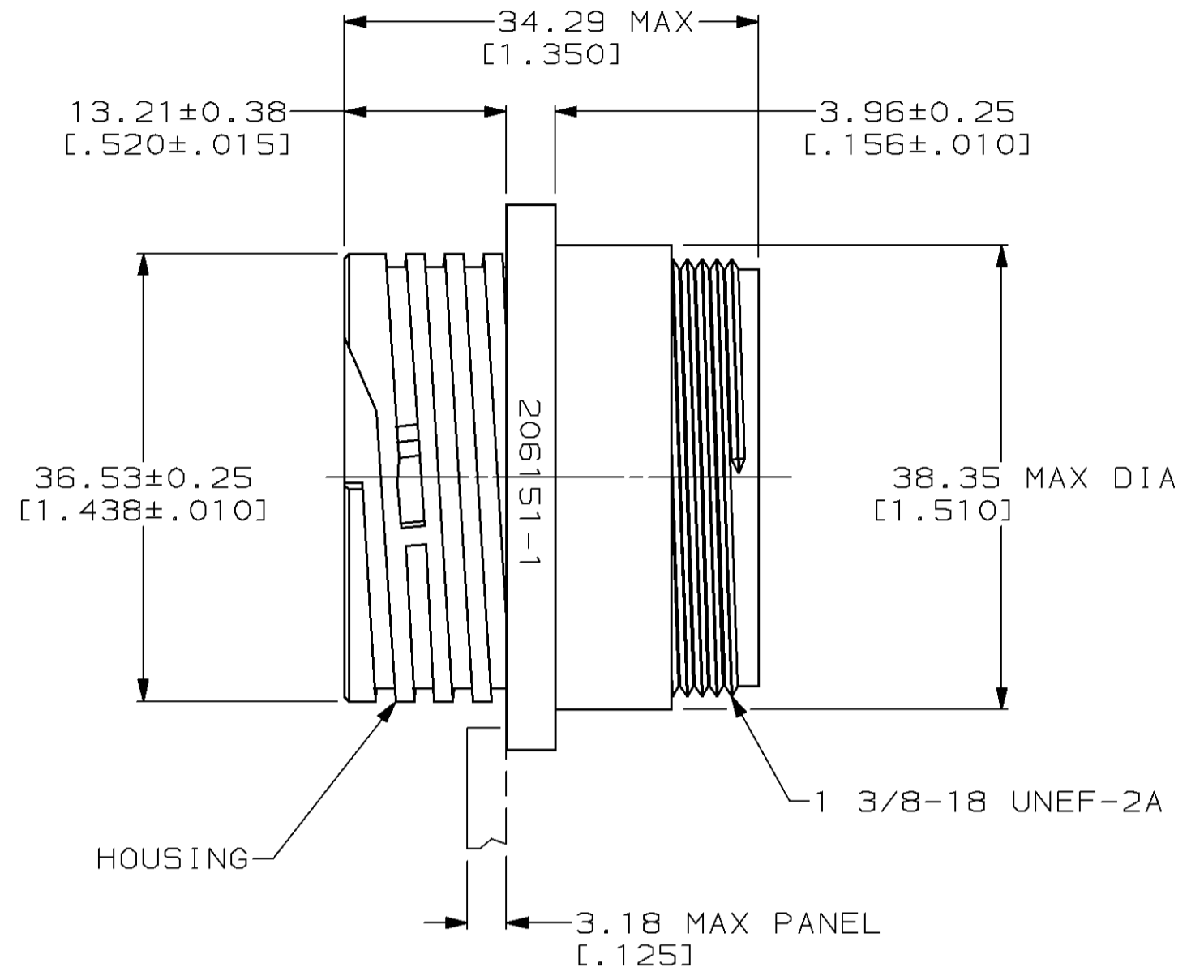
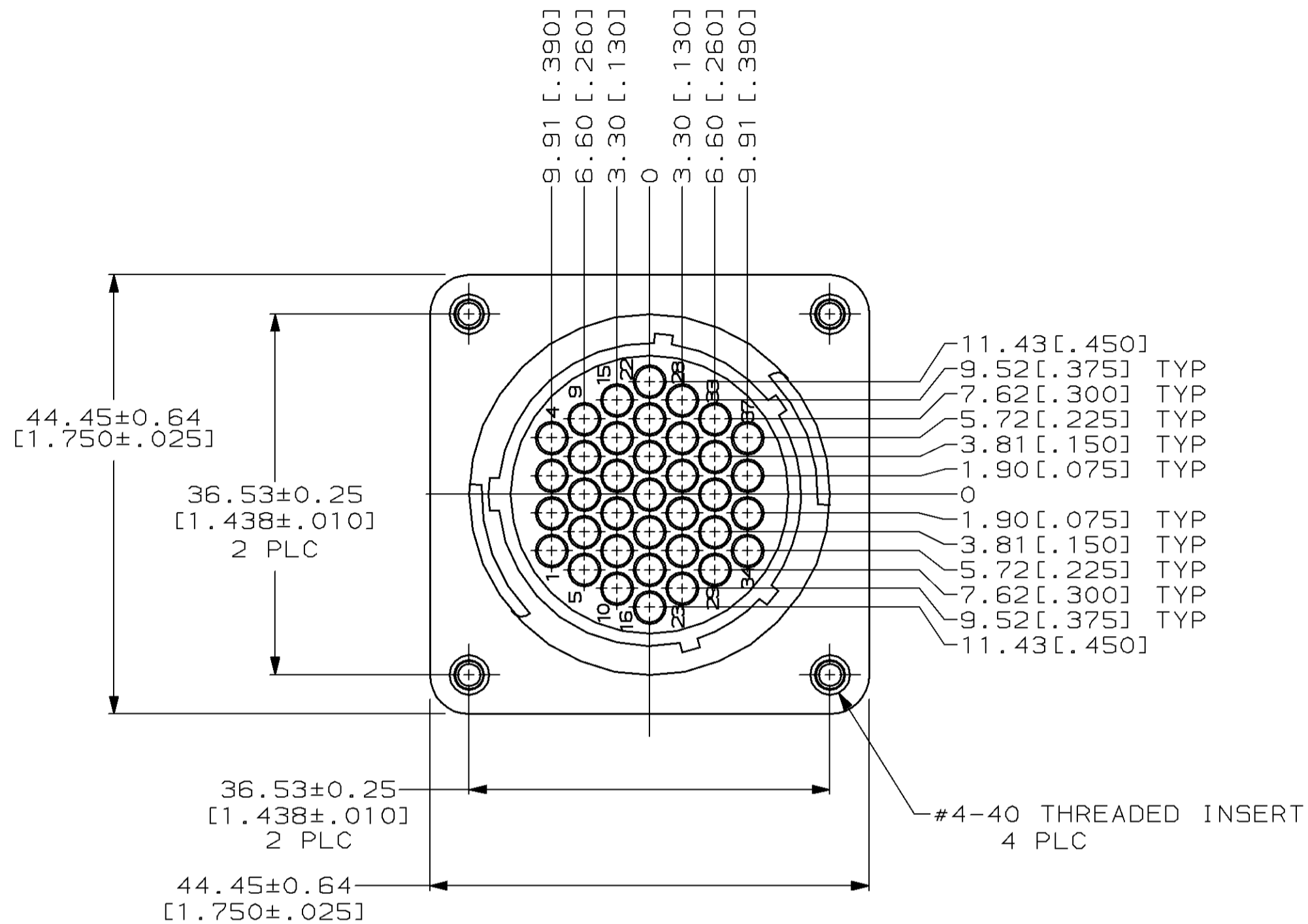


THIS DRAWING IS UNPUBLISHED. RELEASED FOR PUBLICATION
 BY AMP INCORPORATED. ALL RIGHTS RESERVED.

Loc		DIST		REVISIONS			
P	LTR	DESCRIPTION	DATE	DWN	APVD		
BD	35						
0		RELEASED -1 PER NPR 5423 WAS 95-5029-3-1	06 OCT 95	-	-		



- 1. HOUSING: NYLON, BLACK.
#4-40 THREADED INSERTS: BRASS.
- 2. CAVITY IDENTIFICATION ON FRONT AND REAR FACES.
- 3. CONNECTOR WILL ACCEPT 37 MULTIMATE PIN CONTACTS.

787610-1
PART NUMBER

THIS DRAWING IS A CONTROLLED DOCUMENT FOR AMP INCORPORATED. IT IS SUBJECT TO CHANGE AND THE CONTROLLING ENGINEERING ORGANIZATION SHOULD BE CONTACTED FOR THE LATEST REVISION.		DWN	K.FOLTZ	06 OCT 95	AMP Incorporated Harrisburg, PA 17105-3608
DIMENSIONS:		CHK	R.STONE	09 OCT 95	
mm [INCHES]		APVD	R.BYERS	09 OCT 95	
TOLERANCES UNLESS OTHERWISE SPECIFIED:		PRODUCT SPEC	108-10024		
0 PLC ±-		APPLICATION SPEC	-		
1 PLC ±-		WEIGHT	-		
2 PLC ±0.13 [0.005]		CUSTOMER DRAWING	-		
3 PLC ±-		SIZE	A2	00779	DRAWING NO
4 PLC ±-		SCALE	2:1	SHEET	1 OF 1
ANGLES ±-		REV			0
FINISH -					

787610