

I/O module - AXL F RTD8 S 1F - 2702120

Please be informed that the data shown in this PDF Document is generated from our Online Catalog. Please find the complete data in the user's documentation. Our General Terms of Use for Downloads are valid (<http://phoenixcontact.com/download>)



Axioline F, Temperature recording module, Analog inputs: 8 (for resistance temperature detectors), connection method: 2, 4-wire (shielded), transmission speed in the local bus: 100 Mbps, measuring dynamics up to 8 Hz, including bus base module and Axioline F connectors

Product Description


The module is designed for use within an Axioline F station.
 It is used to acquire signals from resistive temperature sensors.
 It is used to acquire signals from resistive temperature sensors.
 The module supports all common platinum and nickel sensors according to DIN EN 60751 and SAMA. Cu10, Cu50, and Cu53 sensors are also supported.

Why buy this product

- ✓ 8 analog input channels for the connection of resistance temperature detectors (RTD)
- ✓ Linear inputs 500 Ω
- ✓ Connection of sensors with 2- and 4-wire technology
- ✓ Integrated, digital sensor linearization
- ✓ Standardized measured value representation directly in °C, °F or Ω
- ✓ Measured value display in 16-bit format or floating point format
- ✓ 8 Hz measuring dynamics per channel
- ✓ Programmable filters
- ✓ Short-circuit protected inputs
- ✓ Device rating plate stored
- ✓ Diagnostic and status indicators
- ✓ Temperature stability
- ✓ Very high level of noise immunity
- ✓ Low noise emission
- ✓ Installation monitoring by means of "Channel scout" function



Key Commercial Data

Packing unit	1 STK
GTIN	 4 046356 977852
GTIN	4046356977852

I/O module - AXL F RTD8 S 1F - 2702120

Technical data

Dimensions

Caption	Dimensional drawing
Width	53.6 mm
Height	126.1 mm
Depth	54 mm
Note on dimensions	The depth is valid when a TH 35-7,5 DIN rail is used (according to EN 60715).

Ambient conditions

Ambient temperature (operation)	-25 °C ... 60 °C
Ambient temperature (storage/transport)	-40 °C ... 85 °C
Permissible humidity (operation)	5 % ... 95 % (non-condensing)
Permissible humidity (storage/transport)	5 % ... 95 % (non-condensing)
Air pressure (operation)	70 kPa ... 106 kPa (up to 3000 m above sea level)
Air pressure (storage/transport)	70 kPa ... 106 kPa (up to 3000 m above sea level)
Degree of protection	IP20

Connection data

Designation	Axiline F connector
Connection method	Push-in connection
Note on the connection method	Please observe the information provided on conductor cross sections in the "Axiline F: system and installation" user manual.
Conductor cross section solid min.	0.2 mm ²
Conductor cross section solid max.	1.5 mm ²
Conductor cross section flexible min.	0.2 mm ²
Conductor cross section flexible max.	1.5 mm ²
Conductor cross section AWG min.	24
Conductor cross section AWG max.	16
Stripping length	8 mm

General

Mounting type	DIN rail
Net weight	241.3 g
Note on weight specifications	with connectors and bus base module

Interfaces

Designation	Axiline F local bus
No. of channels	2
Connection method	Bus base module
Transmission speed	100 Mbps

Axiline potentials

Designation	Axiline F local bus supply (U _{Bus})
Supply voltage	5 V DC (via bus base module)

I/O module - AXL F RTD8 S 1F - 2702120

Technical data

Axioline potentials

Current consumption	typ. 115 mA
	max. 180 mA
Power consumption	typ. 0.58 W
	max. 0.9 W
Designation	Supply for analog modules (U _A)
Supply voltage	24 V DC
Supply voltage range	19.2 V DC ... 30 V DC (including all tolerances, including ripple)
Current consumption	typ. 15 mA
	max. 25 mA
Power consumption	max. 0.6 W
	typ. 0.94 W (at U _{BUS} and U _A)
	max. 1.5 W (at U _{BUS} and U _A)
Type of protection	Surge protection of the supply voltage
	Polarity reversal protection of the supply voltage
	Transient protection

Analog inputs

Number of inputs	8 (for resistance temperature detectors)
Input name	Analog inputs
Description of the input	Inputs for resistive temperature sensors
Connection method	Push-in connection
Connection technology	2, 4-wire (shielded)
Sensor types (RTD) that can be used	Pt, Ni, Cu sensors
Linear resistance measuring range	0 Ω ... 500 Ω
Nominal value of the current sources	1 mA (Pt 100, Ni 100, R _{Lin} 500 Ω; pulse current, the specification is valid during the sampling phase)
Measured value representation	16 bits (15 bits + sign bit)
Resolution A/D	24 bit
Type of protection	Short-circuit protection, overload protection of the inputs
	Transient protection of inputs
	Transient protection of sensor supplies
Data formats	IB IL, S7-compatible
Input filter time	8 ms

Electrical isolation

Test section	5 V communications power (logic), 24 V supply (I/O) 500 V AC 50 Hz 1 min.
	5 V supply (logic)/functional earth ground 500 V AC 50 Hz 1 min.
	24 V supply (I/O) / functional earth ground 500 V AC 50 Hz 1 min.

Standards and Regulations

Mechanical tests	Vibration resistance in acc. with EN 60068-2-6/IEC 60068-2-6 5g
	Shock in acc. with EN 60068-2-27/IEC 60068-2-27 30g

I/O module - AXL F RTD8 S 1F - 2702120

Technical data

Standards and Regulations

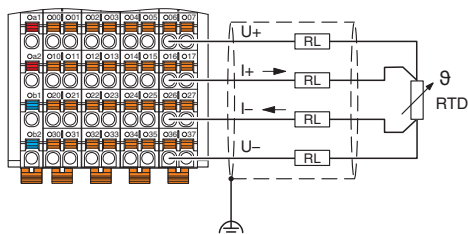
	Continuous shock according to EN 60068-2-27/IEC 60068-2-27 10g
Protection class	III, IEC 61140, EN 61140, VDE 0140-1

Environmental Product Compliance

China RoHS	Environmentally friendly use period: unlimited = EFUP-e
	No hazardous substances above threshold values

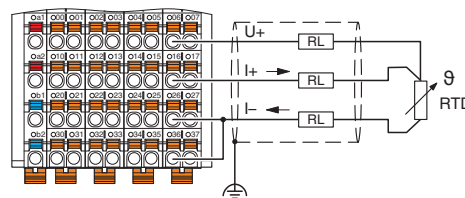
Drawings

Connection diagram



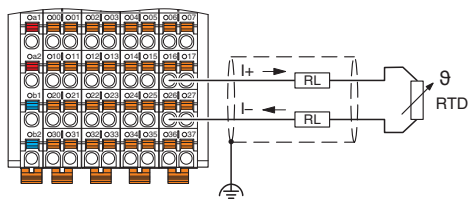
Connection example: 4-wire connection

Connection diagram



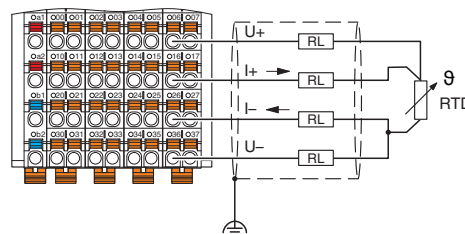
Connection example: 3-wire connection with external bridge

Connection diagram



Connection example: 2-wire connection

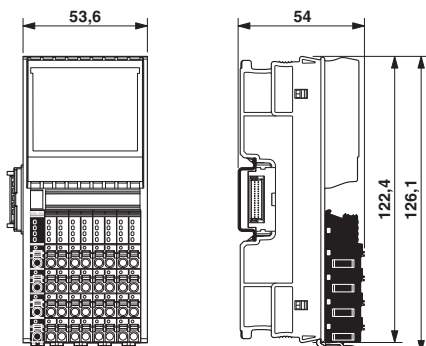
Connection diagram



Connection example: 4-wire connection for 3-wire sensor with long supply lines

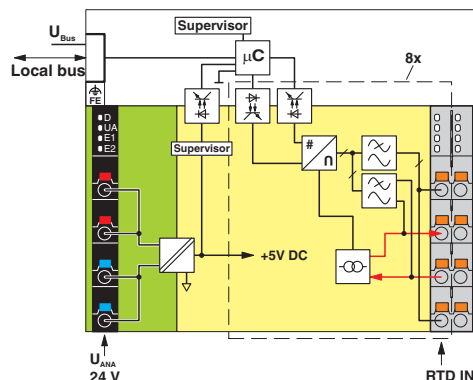
I/O module - AXL F RTD8 S 1F - 2702120

Dimensional drawing



Dimensional drawing

Block diagram



Internal wiring of the terminal points

Approvals

Approvals

Approvals

UL Listed / cUL Listed / cULus Listed

Ex Approvals

Approval details

UL Listed		http://database.ul.com/cgi-bin/XYV/template/LISEXT/1FRAME/index.htm	FILE E 238705
-----------	--	-------------------------------------------------------------------------------------------------------------------------------------------------------	---------------

cUL Listed		http://database.ul.com/cgi-bin/XYV/template/LISEXT/1FRAME/index.htm	FILE E 238705
------------	--	-------------------------------------------------------------------------------------------------------------------------------------------------------	---------------

cULus Listed			
--------------	--	--	--

Phoenix Contact 2018 © - all rights reserved
<http://www.phoenixcontact.com>

PHOENIX CONTACT GmbH & Co. KG
Flachmarktstr. 8
32825 Blomberg
Germany
Tel. +49 5235 300
Fax +49 5235 3 41200
<http://www.phoenixcontact.com>