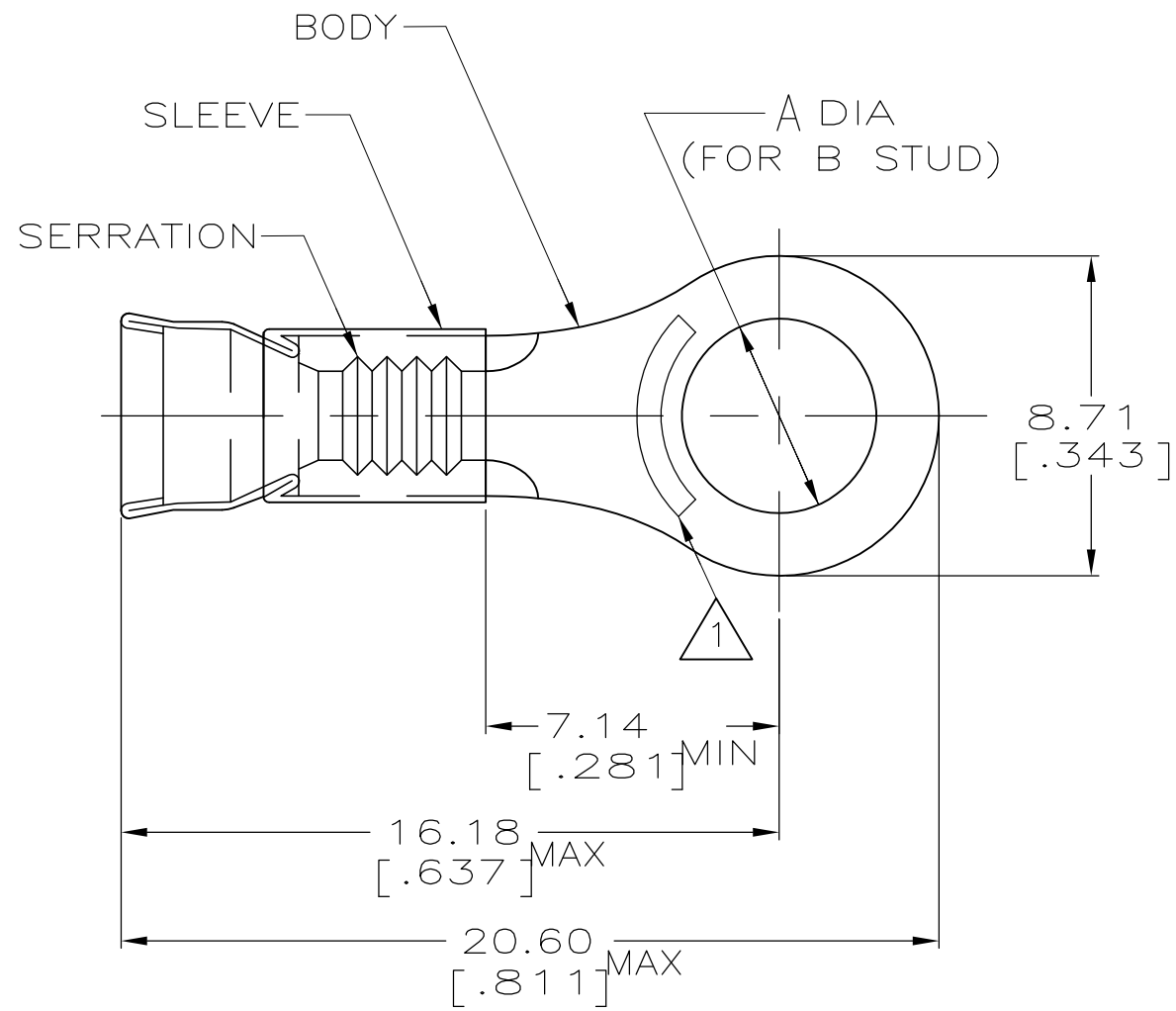


THIS DRAWING IS UNPUBLISHED. RELEASED FOR PUBLICATION
 © COPYRIGHT - By - ALL RIGHTS RESERVED.


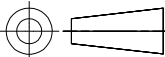
LOC	DIST	REVISIONS			
P	LTR	DESCRIPTION	DATE	DWN	APVD
G	14	J1	REVISED PER ECO-11-005027	14MAR11	RK HMR



① SEE TABLE FOR STAMPING

- 2. WIRE INSUL DIA, 3.05-4.32 [.120-.170]
- 3. TONGUE MATL THK, 0.79±0.05 [.031±.002]

AMP 16-14	5.00 ±0.08 [.197±.003]	#10	NICKEL PER ASTM B162	ORANGE	5000	ON TAPE, REEL	1-322338-2
AMP 16-14AL	4.34 ±0.08 [.171±.003]	#8	ALUMEL	GREEN	500	LOOSE PIECE	1-322338-1
AMP 16-14AL	5.00 ±0.08 [.197±.003]	#10	ALUMEL	GREEN	500	LOOSE PIECE	1-322338-0
AMP 16-14	5.00 ±0.08 [.197±.003]	#10	NICKEL PER ASTM B162	ORANGE	1000	LOOSE PIECE	322338
STAMPING	A	B	BODY MATERIAL	SLV COLOR	QTY	PACKAGE TYPE	PART NO

AMP INCORPORATED CUSTOMER SERVICE SYSTEM		MAX RECOMMENDED OPERATING TEMPERATURE: 649° C [1200° F]	THIS DRAWING IS A CONTROLLED DOCUMENT.		DWN L OLMEDA 10OCT94	 TE Connectivity NAME TERMINAL, RING TONGUE, STRATOTHERM, DIAMOND GRIP, WIRE SIZE, 16-14 AWG		
FOR ADDITIONAL PRODUCT INFORMATION OR COPIES OF DRAWINGS AND TECHNICAL DOCUMENTS	PRODUCT INFORMATION CENTER 1-800-522-6752		VOLTAGE RATING: -	DIMENSIONS: mm [INCHES]	TOLERANCES UNLESS OTHERWISE SPECIFIED:		CHK M ELLIS 10OCT94	
FOR APPLICATION TOOLING INFORMATION	TOOLING ASSISTANCE CENTER 1-800-722-1111	CIRCULAR MIL AREA: 1.04mm ² -2.62mm ² [2050-5180]		0 PLC ± - 1 PLC ± - 2 PLC ± 0.20 [.008] 3 PLC ± - 4 PLC ± - ANGLES ± -	APVD S BORTNER 10OCT94			
FOR ORDER ENTRY	1-800-526-5142	STRANDED WIRE	MATERIAL BODY, SEE TABLE SLEEVE, NI SIL PER ASTM B122	FINISH SLV COLOR, SEE TABLE	PRODUCT SPEC -			
			CUSTOMER DRAWING		SIZE A3	CAGE CODE 00779	DRAWING NO C-322338	RESTRICTED TO -
					WEIGHT -	SCALE 6:1	SHEET 1 OF 1	REV J1